

RECTANGULAR TANKS

			POLYETHYLENE			POLYPROPYLENE			
Gallon Capacity	L X W X H	Approx. Wall		Cover	Tank	Fiberglassed	Cover	Tank	Fiberglassed
		Thickness							
2	8 x 8 x 8	1/8		11.60	30.59	79.39	23.17	52.53	101.33
7	12 x 12 x 12	1/8		17.30	46.04	155.44	34.62	78.79	188.19
10	12 x 12 x 18	1/8		17.30	82.20	235.36	34.62	117.88	271.04
14	12 x 12 x 24	1/8		17.30	95.64	292.56	34.62	167.63	364.55
17	12 x 12 x 30	1/8		17.30	112.78	353.46	34.62	239.79	480.47
23	12 x 12 x 42	1/4		17.30	143.37	471.57	34.62	296.34	624.54
5	14 x 10 x 10	1/8		17.30	46.04	140.35	34.62	69.69	164.00
5	18 x 4 x 18	1/8		15.45	61.18	192.46	30.90	136.73	268.01
9	18 x 8 x 16	1/8		15.45	65.05	210.99	30.90	123.91	269.85
10	18 x 12 x 12	1/8		23.02	82.20	224.42	46.03	117.87	260.09
16	18 x 12 x 18	1/8		23.02	91.76	288.68	46.03	142.92	339.84
20	18 x 12 x 24	1/4		23.02	109.08	316.94	46.03	253.53	461.39
28	18 x 12 x 30	1/4		23.02	114.35	420.67	46.03	324.00	630.52
12	18 x 14 x 12	1/8		30.89	72.61	233.21	61.78	168.00	328.00
23	18 x 18 x 18	1/4		32.61	105.21	351.36	65.18	204.00	450.15
31	18 x 18 x 24	1/4		32.61	131.78	377.93	65.18	700.00	711.79
39	18 x 18 x 30	1/4		32.61	252.13	629.56	65.18	432.00	809.43
24	23 x 15 x 18	1/4		40.33	149.85	410.23	80.64	272.00	532.38
11	24 x 4 x 30	1/4		34.44	124.22	394.22	68.92	258.78	528.78
22	24 x 8 x 30	1/4		34.44	137.65	458.63	68.92	271.61	592.59
14	24 x 12 x 12	1/8		26.87	95.64	270.73	53.77	167.62	342.71
20	24 x 12 x 18	1/4		26.87	103.21	343.89	53.77	241.94	482.62
27	24 x 12 x 24	1/4		26.87	122.37	428.69	53.77	276.39	582.71
34	24 x 12 x 30	1/4		26.87	168.24	540.20	53.77	362.45	734.41
41	24 x 12 x 36	1/4		26.87	190.96	628.56	53.77	438.17	875.77
20	24 x 18 x 12	1/4		34.44	109.08	327.88	68.91	253.39	472.19
31	24 x 18 x 18	1/4		34.44	131.78	427.16	68.92	227.58	522.96
41	24 x 18 x 24	1/4		34.44	152.79	546.63	68.92	300.96	594.80
50	24 x 18 x 30	5/16		34.44	290.31	738.85	68.92	531.30	979.84
61	24 x 18 x 36	5/16		34.44	345.77	870.89	68.92	617.36	1056.42
27	24 x 24 x 12	1/4		57.31	189.07	451.63	114.63	291.39	553.95
41	24 x 24 x 18	1/4		57.31	246.41	596.49	114.63	300.96	651.04
54	24 x 24 x 24	5/16		57.31	315.17	752.77	114.63	467.96	905.56
68	24 x 24 x 30	5/16		57.31	343.74	868.86	114.63	538.57	1063.69
82	24 x 24 x 36	5/16		57.31	343.74	956.38	114.63	551.71	1164.35
110	24 x 24 x 48	5/16		57.31	458.22	1245.90	114.63	596.81	1384.49
16	30 x 12 x 12	1/4		57.31	112.78	298.76	114.63	239.79	425.77
43	30 x 12 x 30	1/4		57.31	190.96	628.56	114.63	422.70	860.30
58	30 x 12 x 42	5/16		57.31	391.49	982.25	114.63	696.78	1287.54

Ronco Plastic, Inc.
 Phone (714) 259-1385
 Fax (714) 259-0759

!! DO NOT USE TANKS FOR FUEL STORAGE !!

Chemical Plating Catalog
www.ronco-plastics.net

RECTANGULAR TANKS

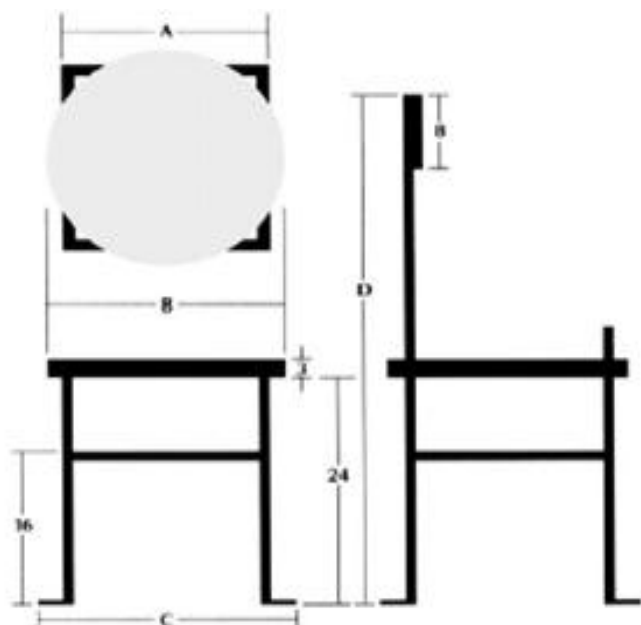
			POLYETHYLENE			POLYPROPYLENE			
Gallon Capacity	L X W X H	Approx. Wall		Cover	Tank	Fiberglassed	Cover	Tank	Fiberglassed
		Thickness							
50	30 x 18 x 24	5/16		57.93	366.91	799.04	115.88	545.06	977.19
63	30 x 18 x 30	5/16		57.94	343.74	863.39	115.88	677.99	1197.55
77	30 x 18 x 36	5/16		57.94	391.49	1197.55	115.88	768.46	1288.29
43	30 x 20 x 18	1/4		56.91	330.64	697.13	113.72	499.92	866.41
34	30 x 24 x 12	1/4		59.64	224.90	531.22	119.26	341.74	648.06
50	30 x 24 x 18	5/16		59.64	267.43	672.21	119.26	439.99	844.77
68	30 x 24 x 24	5/16		59.64	343.74	846.98	119.26	538.57	1041.81
86	30 x 24 x 28	5/16		59.64	343.74	912.62	119.26	538.57	1107.45
86	30 x 24 x 30	5/16		59.64	381.90	983.60	119.26	601.92	1203.62
103	30 x 24 x 36	5/16		59.64	429.66	1129.82	119.26	964.67	1664.83
121	30 x 24 x 42	5/16		59.64	582.42	1381.04	119.26	1165.84	1964.46
108	30 x 30 x 30	5/16		66.91	420.05	1103.80	133.80	558.03	1241.78
71	36 x 14 x 36	5/16		66.91	466.27	1089.85	133.80	817.60	1441.18
103	36 x 18 x 40	5/16		66.91	646.41	1401.27	133.80	966.85	1721.71
56	36 x 20 x 20	5/16		66.91	229.13	677.67	133.80	375.12	823.66
41	36 x 24 x 12	1/4		70.05	246.41	596.49	139.05	420.85	770.93
61	36 x 24 x 18	5/16		69.51	329.31	788.79	139.05	587.96	1047.44
82	36 x 24 x 24	5/16		69.51	343.74	912.62	139.05	551.71	1120.59
103	36 x 24 x 30	5/16		69.51	381.90	1060.18	139.05	853.43	1531.71
125	36 x 24 x 36	5/16		69.51	525.29	1312.97	139.05	1025.24	1812.92
189	36 x 36 x 36	5/16		124.05	611.50	1596.10	248.11	1316.96	2301.56
253	38 x 38 x 43	5/16		146.76	865.18	2079.52	293.54	1184.97	2399.31
138	40 x 18 x 48	5/16		52.07	562.04	1519.29	104.15	1177.25	2134.50
100	42 x 25 x 24	5/16		105.06	462.88	1119.28	210.10	864.55	1520.95
105	46 x 32 x 18	5/16		115.74	495.92	1152.32	231.46	893.92	1515.94
53	48 x 24 x 12	5/16		105.07	297.10	734.70	210.10	480.01	917.61
82	48 x 24 x 18	5/16		105.07	381.90	879.67	210.10	526.81	1024.58
110	48 x 24 x 24	5/16		105.07	458.22	1158.38	210.10	596.81	1296.97
139	48 x 24 x 30	5/16		105.07	505.97	1337.41	210.10	611.18	1442.62
167	48 x 24 x 36	5/16		105.07	646.42	1609.14	210.10	838.94	1801.66
218	48 x 28 x 40	5/16		105.07	620.60	1747.42	210.10	1281.37	2408.19
254	48 x 36 x 36	5/16		115.73	956.02	2137.54	231.45	1540.34	2721.86
254	48 x 48 x 24	5/16		117.32	898.01	2473.37	234.64	1441.16	3016.52
105	52 x 15 x 34	5/16		105.06	495.92	1305.48	210.10	934.39	1743.95
102	60 x 24 x 18	5/16		107.54	528.99	1207.27	215.05	984.14	1662.42



CYLINDRICAL TANKS

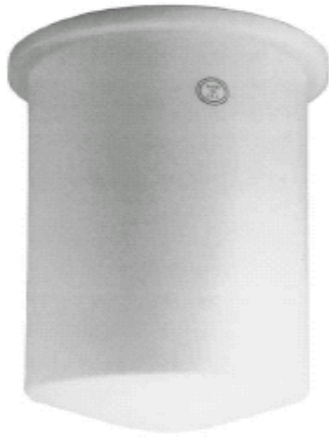
		POLYETHYLENE				POLYPROPYLENE			POLYETHYLENE COVERS			
Gallon Capacity	Approx Diameter X Height	Wall Thickness	Natural Price	Fiberglassed Price	Black Price	Natural Price	Fiberglassed Price	Inside Diameter	Natural Price	Fiberglassed Price	Black Price	Floating Lids Price
3	9 1/2 X 9	1/8			23.56			11 1/8	9.56	60.90	11.59	11.59
3	9 1/2 X 9	1/4	30.59	82.23	32.90	50.52	102.16					
5	11 X 14	1/8			25.33			12 5/16	10.65	62.01	11.13	14.36
5	11 X 14	1/4	30.59	118.55	33.66	65.35	153.31					
6	11 X 16	1/8	30.59		33.06			12 5/16	10.65	62.01	11.13	14.34
6	11 X 16	1/4	38.31	136.77	42.00	69.06	167.52					
7 1/2	12 1/2 X 16 1/2	1/8	28.89		31.98			13 7/8	11.59	62.97	12.34	14.34
7 1/2	12 1/2 X 16 1/2	1/4	38.31	155.59	42.94	73.39	190.66					
10	13 1/2 X 20 1/2	1/8	38.31		41.71			14 5/8	11.59	61.13	12.34	16.51
10	13 1/2 X 20 1/2	1/4	49.75	203.79	55.31	92.08	246.12					
15	15 X 21 1/2	1/8	43.89		48.53			16 3/4	14.37	65.83	15.46	18.06
15	15 X 21 1/2	1/4	57.47	235.42	64.58	131.64	312.59					
17	18 X 16 1/2	1/8	55.44		58.56			19 3/4	19.17	102.07	20.24	25.03
17	18 X 16 1/2	1/4	72.61	253.12	80.47	137.96	318.50					
30	18 X 28 1/2	1/8	66.92		74.00			19 3/4	19.16	82.50	20.24	25.03
30	18 X 28 1/2	1/4	99.34	383.35	109.40	183.85	467.86					
55	22 1/2 X 34	1/8	86.05		95.94			24 1/16	23.02	119.06	24.42	34.46
55	22 1/2 X 34	1/4	145.23	570.80	160.04	270.68	696.25					
65	22 X 40	1/8	143.34		155.74			24 1/16	23.02	119.06	24.42	34.46
65	22 X 40	1/4	189.11	666.96	206.54	413.58	891.45					
80	24 X 48	1/8	190.97		206.89			28 1/16	30.59	154.05	32.75	46.03
80	24 X 48	1/4	246.41	865.18	270.22	564.68	1183.45					
100	26 3/4 X 46 1/4	5/16	324.75	1000.85	348.55	604.07	1280.17	29 1/2	34.44	162.95	36.61	53.59
150	31 X 48	5/16	439.23	1264.32	472.05	643.77	1468.87	35 1/4	38.30	212.73	41.71	61.18
200	36 X 48	5/16	487.13	1466.66	526.69	905.95	1885.46	39 15/16	67.05	262.98	72.76	N/A
260	36 3/4 X 59 3/4	3/8	534.36	1743.89	569.51	1054.66	2264.18	40 1/2	65.11	322.22	71.85	N/A
275	42 X 48	3/8	592.01	1765.00	646.56	1114.23	2287.23	45 15/16	67.04	324.19	73.24	N/A
360	48 X 48	3/8	806.62	2181.56	811.73			52 1/8	95.64	457.12	105.53	N/A
500	52 X 60	3/8	1123.80	2935.91	1137.72			58 3/16	114.64	577.31	126.54	N/A

CYLINDRICAL TANK STANDS



Capacity	Without Agitator Mount			With Mount		
	A	B	C	PRICE	D	PRICE 2
5 & 6	10 1/4	12	13 1/2	184.00	50	231.65
7 1/2	11	13	17 1/2	227.31	50	253.86
10	11 1/8	13 1/2	15	224.95	60	276.09
15	12 3/4	15 1/2	17	311.00	60	367.99
30	15 1/4	18 1/2	21	357.82	70	408.79
55	18	22 1/2	25	378.32	80	449.75
65	18	22 1/2	24	421.17	85	490.74
80	21	25 3/4	26	511.05	88	592.83
100	21 1/2	27	28	551.99	84	623.60
150	25 3/8	32 5/8	33	592.80	88	684.87
200	28 1/2	37	38	633.58	88	715.51
260	28 1/2	37	39 1/4	766.58	65	817.66
275	39	43	44	766.62	88	919.82
360	45	48 5/8	50	868.87	90	1011.90
500	49	53	54	1012.17	103	1209.44

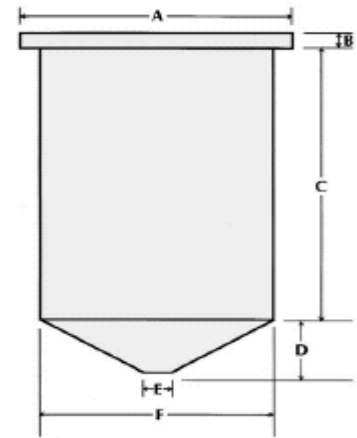




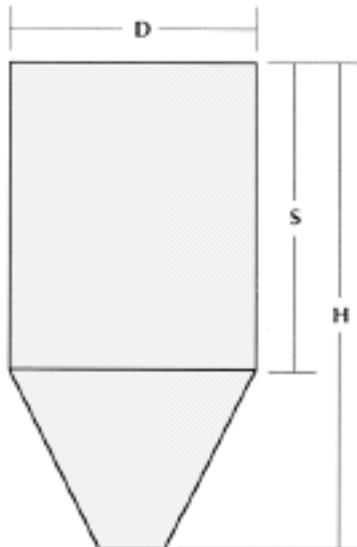
CONICAL TANKS

Gallon Capacity	Polyethylene	Polypropylene	Fiberglassed Polyethylene	Fiberglassed Polypropylene
5	39.71	102.73	158.26	221.28
10	67.83	119.87	271.62	323.66
15	77.10	151.10	312.52	386.52
30	110.76	233.59	494.01	616.94
55	175.48	351.62	746.28	922.42
70	286.61	468.75	1151.79	1333.93
100	372.49	638.38	1373.34	1639.23
200	572.87	966.06	2039.53	2432.72
275	784.56	1219.13	2549.56	2984.13

Gallon Capacity	A	B	C	D	E	F	Cover Price
5	12 7/8	1 1/8	11 1/8	1 7/8	2 1/2	10 7/8	13.92
10	19 1/2	1 1/2	10 3/4	1 3/4	5 1/2	17 1/8	14.04
15	19 3/8	1 1/4	16 1/2	2	5 1/2	17 1/2	20.66
30	19 1/2	1 1/2	26 5/8	2 1/2	5	18	33.32
55	24 1/2	1 1/2	36 3/4	3 1/4	5	21 5/8	36.30
70	26	1 1/4	36 1/4	3 1/2	6	23 1/4	45.37
100	34 1/4	1 3/4	29	4	6	32	46.00
200	38 1/2	1 3/4	47	8	6	36	53.19
275	47 3/4	1 3/4	42 1/2	6 1/2	4 1/2	42 1/2	58.83



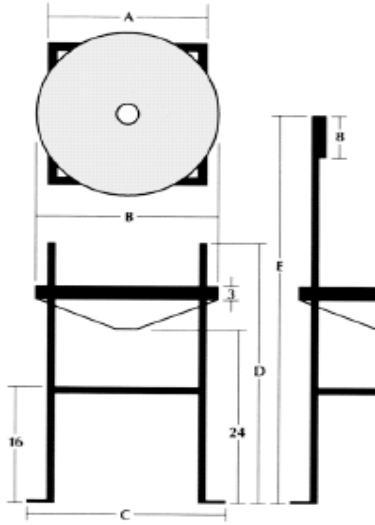
"TD" SERIES TANKS



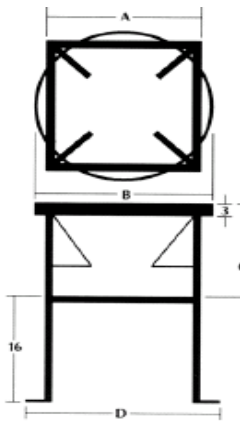
Stock Number	Gallon Capacity	Polyethylene	Polypropylene	Fiberglassed Polyethylene	Covers	Fiberglassed Polypropylene
TD-1	19	120.53	185.39	328.39	15.08	393.25
TD-2	25	129.78	196.22	374.84	40.22	441.28
TD-3	40	237.94	363.05	585.84	41.70	710.95
TD-4	40	237.94	363.05	577.08	48.30	702.19
TD-5	101	463.49	695.23	1152.71	49.38	1384.45
TD-6	98	370.80	556.19	977.97	49.38	1163.36

Stock Number	D	H	S
TD-1	16	30	18
TD-2	18	32	18
TD-3	20	40 1/2	24
TD-4	22	37	18
TD-5	24	65	45
TD-6	32 1/2	45 3/4	18

CONICAL STANDS



Gallon Capacity	Without Agitator				With Agitator		
	A	B	C	D	Price	E	Price
5	9 3/4	18 5/8	14	33	282.35	n/a	350.39
10	14 1/2	18	19	33	306.72	n/a	384.48
15	14 1/2	18	20 1/2	33	307.11	n/a	384.48
30	16 1/4	18 1/2	21	34	408.80	n/a	494.78
55	18	22 1/2	24	41	490.55	n/a	598.21
70	19 1/2	24 1/2	26	45	564.51	n/a	622.93
100	25 1/4	32 1/2	34 1/2	41	613.26	n/a	711.28
200	28 1/2	37	38 1/2	48	664.39	97	807.61
275	33 5/8	43 3/4	45	48	924.89	97	1070.66



"TD" TANK STANDS

Stock Number	A	B	C	D	Price
TDS-1	12	16 1/2	14	17	341.18
TDS-2	14	18 1/2	16	19	396.74
TDS-3	16	20 1/2	18 1/2	21	436.39
TDS-4	18	22 1/2	21	23	436.39
TDS-4	20	24 1/2	22	25	563.35
TDS-6	28 1/2	33	29 3/4	33 1/2	539.53



SPECIALTY TANKS



TAPERED

Gallon Capacity	Price	Utility Cover
35	71.77	38.30
50	86.04	38.30



TAPERED

Gallon Capacity	A	B	C
35	22 1/2	26 3/4	20 1/4
50	22 1/2	40 1/2	18 1/4

CURL CUFF

POLYETHYLENE				
Gallon Capacity	Diameter	Height	Price	Price
30	17 3/8	28 1/2	72.59	15.45
55	21 3/8	34	88.06	23.03

